



GB

- Extraction arm with internal bar system
- Arm balancing by gas springs and spring balancer
- Mountings for wall
- TGI can rotate free 360° for hose relief
- Hood standard without damper. Hood with damper is available against additional payment
- Length 2m (channel connection by nipple)
- Length 3-7m (channel connection by hose)
- Flow technical optimized hood
- Suitable for welding smoke, light dust and gases

D

- Absaugarm with Innen-Gestängesystem
- Arm-Auswuchten durch Gasfeder und Federbalancer
- Montagebeschlag für Wand
- TGI kann frei 360° drehen, um Schlauch zu entlasten
- Trichter Standard ohne Klappe. Trichter mit Klappe ist gegen Zulage erhältlich
- Länge 2m (Kanalanschluß durch Nippel)
- Länge 2-7m (Kanalanschluß durch Schlauch)
- Geeignet für Schweißrauch, leichten Staub und Gasen



Telescopic function
Based on double telescopic system inclusive spring balancer.

Teleskop-Funktion
Basiert auf doppeltes Teleskopsystem einschl. Federbalancer.



Extraction hood
Efficient high-performance extraction field is achieved with this hood type.

Absaugtrichter
Effizientes Hochleistungsaugefeld wird mit diesem Trichtertyp.



Quick coupling
Hood standard prepared for quick coupling for extension hose.

Schnellkupplung
Trichter Standard für Schnellkupplung für Verlängerungsschlauch vorbereitet.



Space saving
Very space saving - can either hang completely horizontal or vertical against wall.

Platzersparung
Sehr platzsparend - kann entweder ganz waagrecht oder senkrecht an der Wand ent-lang hängen.

Colour/Farbe: RAL 9005/Colour code 9965 silver (structure/Struktur)



Connection for mount fans

| Order no. | Product | Fan type | Extraction arm type | Diameter |
|------------|--------------------|----------------------|---------------------|----------|
| 01 049 000 | Console connection | VT 1000-O2 | RGF, RFF and TGI | ø125mm |
| 01 049 500 | Console connection | VT 2000-O2/VL 750-C2 | RGF, RFF and TGI | ø160mm |

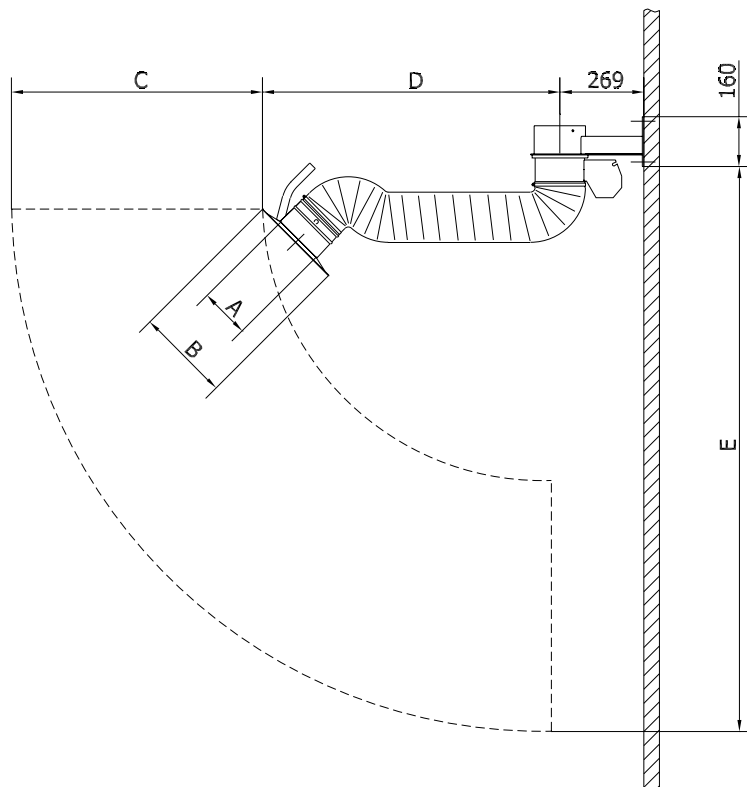
| Diameter | Hose type* | Max. hose vacuum | Damper | See page |
|----------|------------|------------------|--------|----------|
| ø160mm | S10 | See data sheet | Yes | Group 8 |

* Special hoses are available



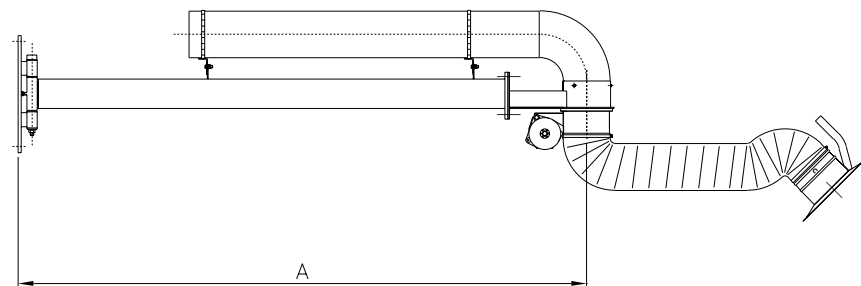
Hose type S10

Type TGI 2000:



| Order no. | Type | Hose diameter | A | B | C | D | E |
|------------|----------|---------------|------|------|-----|-----|------|
| 01 994 500 | TGI 2000 | ø160mm | ø160 | ø300 | 804 | 954 | 1812 |

Telescopic arm type TGI with extension arm/single swing arm:

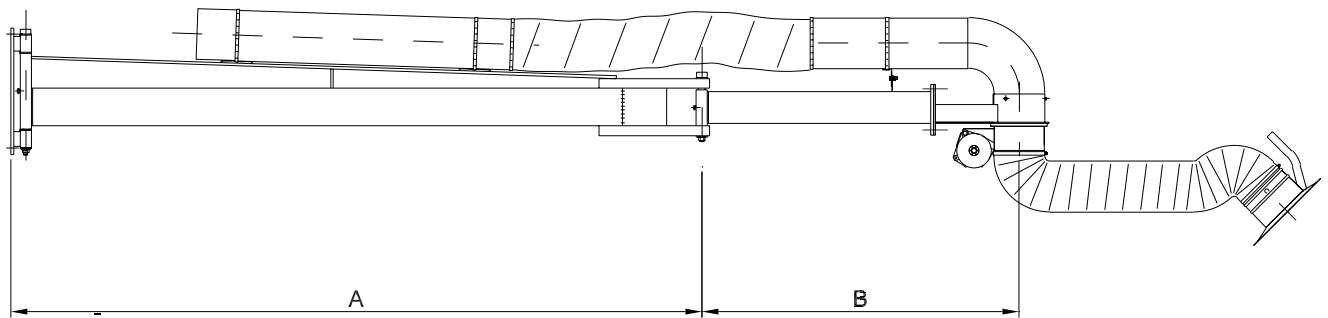


| Type | A | Hose diameter | Range (ø160mm) |
|----------|------|---------------|----------------|
| TGI 3000 | 1050 | ø160mm | 2808 |
| TGI 4000 | 1950 | ø160mm | 3708 |

Recht auf Änderungen bleibt vorbehalten. / Data is subject to alterations.

Rev. 02.22

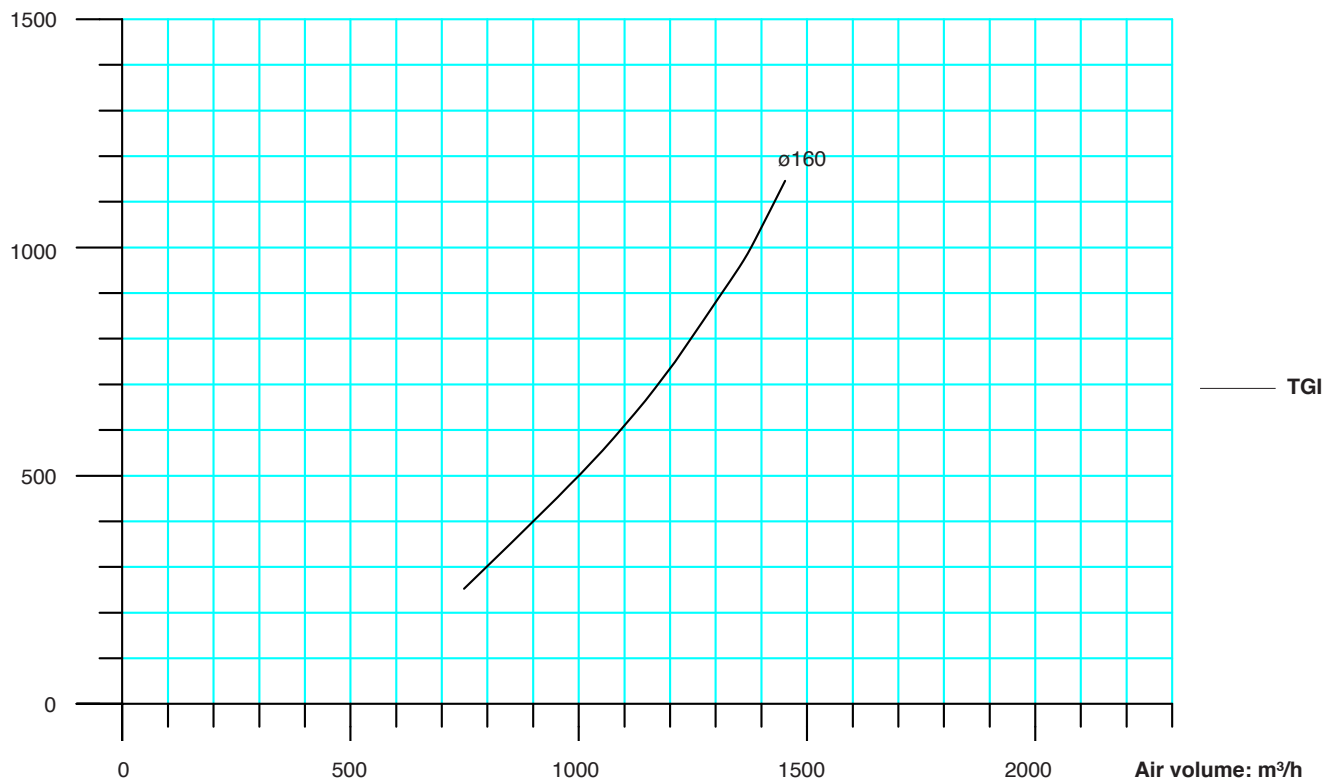
Extension arm/double swing arm (can be folded together against wall):



| Type | A | B | Hose diameter | Range (ø160mm) |
|----------|------|------|---------------|----------------|
| TGI 5000 | 2185 | 1000 | ø160mm | 4943 |
| TGI 6000 | 2185 | 1885 | ø160mm | 5837 |
| TGI 7000 | 3185 | 1895 | ø160mm | 6837 |

Pressure drop: Pa

Pressure drop TGI-telescopic arms



Performance table for cantilever joints for TGI (ø160mm):

| | |
|---------------|--------|
| Diameter | ø160mm |
| at m³/h | 1000 |
| 1m joint | 60 Pa |
| 2m joint | 70 Pa |
| 2m + 1m joint | 150 Pa |
| 2m + 2m joint | 185 Pa |
| 3m + 2m joint | 220 Pa |